

222TD
Facial Chair



SILVERFOX
beauty

Silverfox Corporation Limited

TEL: 0086-750-2633320 2633805

E-mail: sales@silverfox.cn

ADD: No.18, 1st TongLe Road, TangXia Town,
PengJiang District, JiangMen City, GuangDong Province, China

© silverfoxbeauty1995 Silverfox Beauty

CE FDA RoHS

www.silverfoxgp.com

2221D / 3 motors



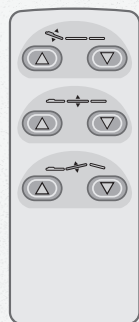
Original Position

620mm / 24.4in



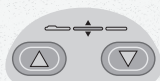
Max Loading capacity : 200kg(440lbs)

UNPARALLELED USER EXPERIENCE



2221D Series Hand Remote

Standard Configuration



※ Lifting Adjustment



※ Seat Tilt Adjustment



※ Backrest Adjustment



Trendelenburg

Trendelenburg position(-15 degree), used to treat hypotension or shock during surgery to increase blood perfusion to vital organs. With this function, the electrical beds can be extended to multiple scenarios.

Product Extensions / Family Series



2221D



2220D



2219B

※ Standard Configuration



Hand Controller



Max Load Bearing

※ Options



Latex/ Memory Foam



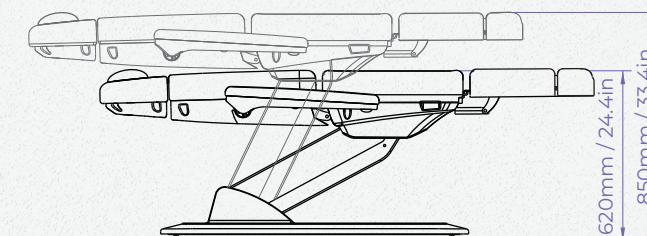
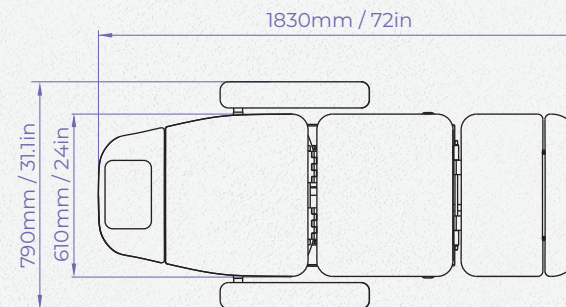
Foot Controller

※ Technical Parameters

Model	Product	Voltage	Frequency	Power Rating	Warranty
2221D	Facial Chair	AC 100-120V	50/60Hz	300W	2 years (Motors and Control Box: 3 years)

※ General Specifications

- Max load bearing : 200 kg/440 lbs
- Net weight : 64 kg/141 lbs
- Gross weight : 77 kg/ 170 lbs
- Product size(L*W*H) : 1830x790x620/850 (mm) 72x31.1x24.4/33.4 (in)
- Package size : 1280x690x690 (mm)≈0.61m³ 50.4x27.2x27.2 (in)≈0.61m³
- Unit:mm / in



LEATHER COLOR SWATCH

STANDARD LEATHER



MICROGROOVE LEATHER



MICROFIBER LEATHER (OPTION)



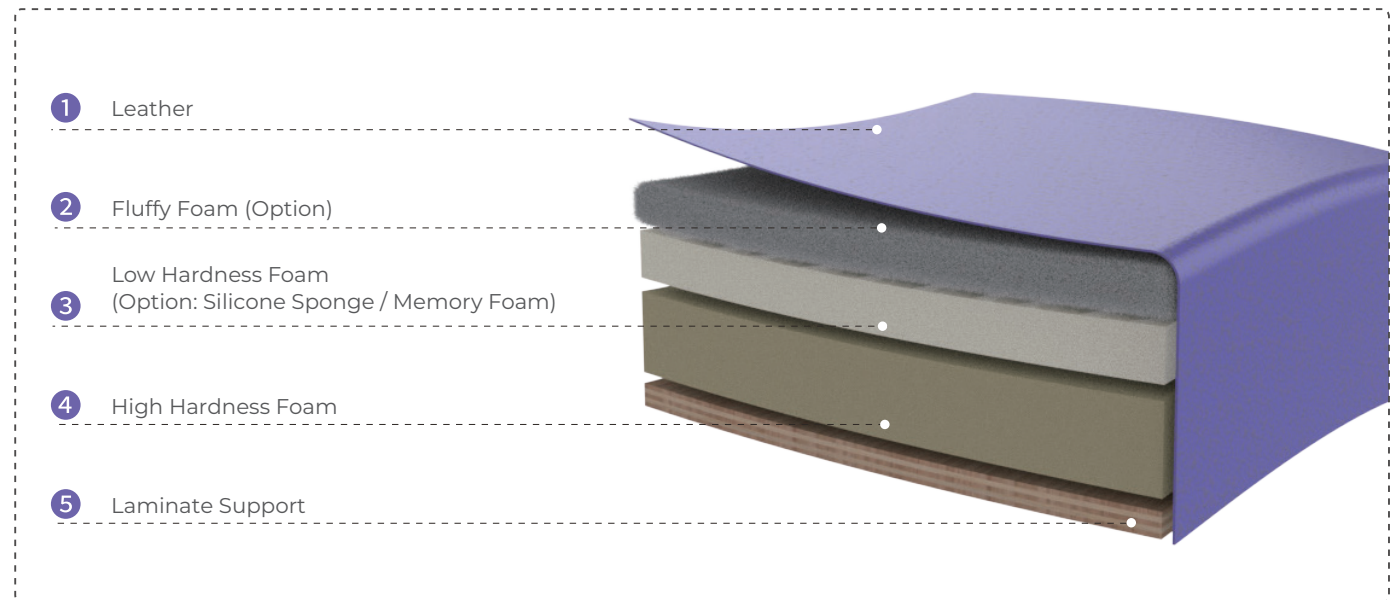
NEW LEATHER (OPTION)



Maintenance

After every treatment, please only use neutral solution to clear the dust, stains on leather, metal part or other parts. Disinfecting solution like alcohol, acid or alkaline solution are forbidden. This is to prevent the lifetime of the components from being shortened.

SPONGE DISSECTION DIAGRAM



Due to the screen display effect will have color difference, the image is for reference only, the actual color shall prevail.