

2246BN
Facial Chair



SILVERFOX
beauty

Silverfox Corporation Limited

TEL: 0086-750-2633320 2633805

E-mail: sales@silverfox.cn

ADD: No.18, 1st TongLe Road, TangXia Town,

PengJiang District, JiangMen City, GuangDong Province, China

 Silverfox Beauty

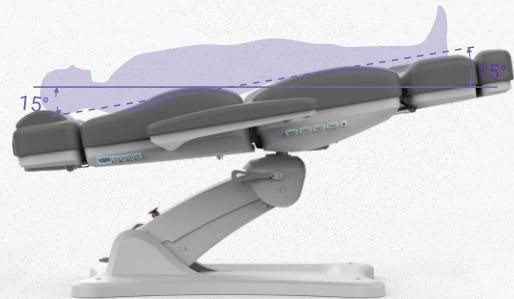
  

www.silverfoxgp.com

2246BN / 4 motors



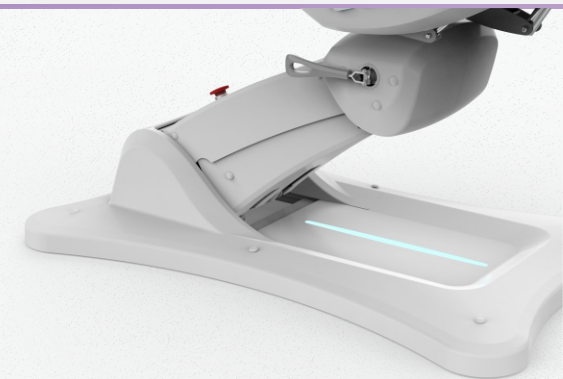
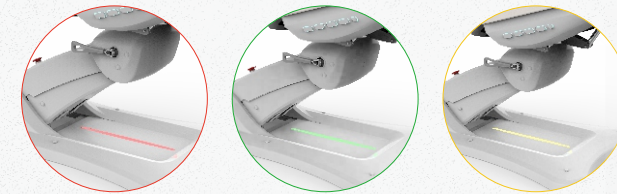
MULTIPLE SAFETY FEATURES



Trendelenburg

Trendelenburg position(-15 degree), used to treat hypotension or shock during surgery to increase blood perfusion to vital organs. With this function, the electrical beds can be extended to multiple scenarios.

COLORFUL LIGHTING CONTROL SYSTEM

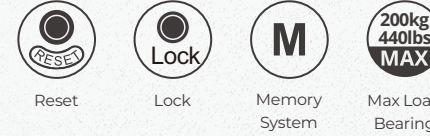


EASILY DETACHABLE UPHOLST

Convenient for disinfection and cleaning



※ Standard Configuration



※ Options



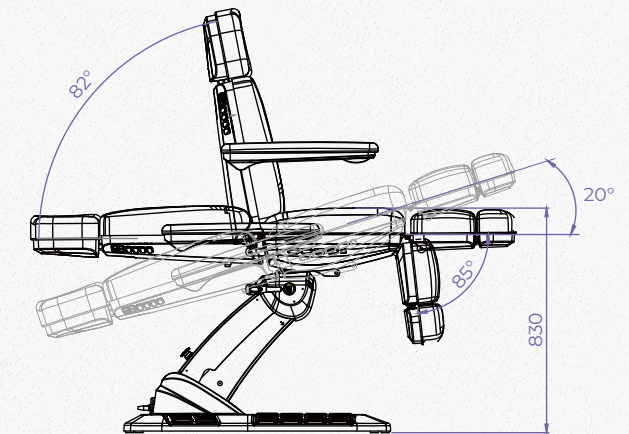
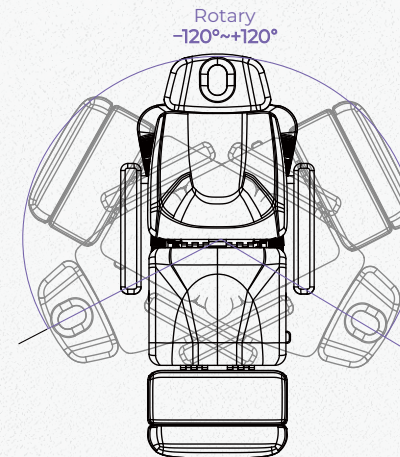
※ Technical Parameters

Model	Product	Voltage	Frequency	Power Rating	Warrant
2246BN	Facial Chair	AC 100-240V	50/60Hz	300W	2 years (Motors and Control Box: 3 years)

※ General Specifications

- Max load bearing : 200 kg / 440 lbs
- Net weight : 97.5 kg / 215 lbs
- Package size :
- Product size(L*W*H) : 1810x860x570 / 830 (mm)
- Gross weight : 112.5 kg / 248 lbs
- 1400x810x610 (mm)≈0.69m³

• Unit:mm



LEATHER COLOR SWATCH

STANDARD LEATHER



MICROGROOVE LEATHER



MICROFIBER LEATHER (OPTION)



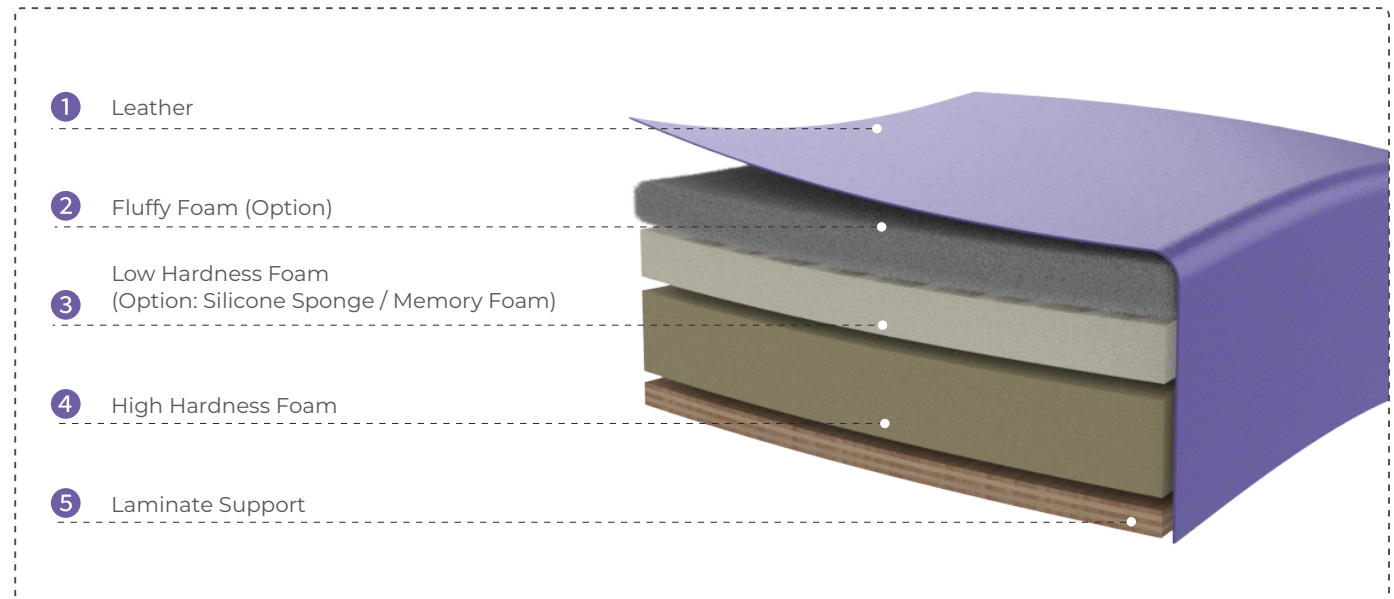
NEW LEATHER (OPTION)



Maintenance

After every treatment, please only use neutral solution to clear the dust, stains on leather, metal part or other parts. Disinfecting solution like alcohol, acid or alkaline solution are forbidden. This is to prevent the lifetime of the components from being shortened.

SPONGE DISSECTION DIAGRAM



Due to the screen display effect will have color difference, the image is for reference only, the actual color shall prevail.