



2274 series

SPA&Wellness Equipment

PRODUCT SERIES

2274/1 motor



2274A/2 motors

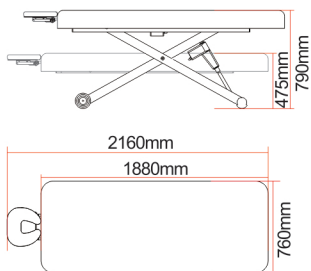


2274B/3 motors

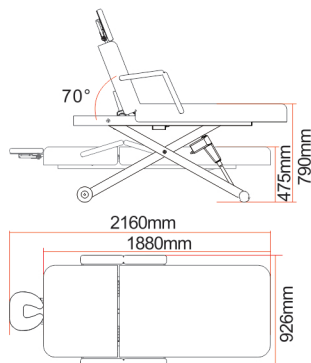


GENERAL SPECIFICATIONS

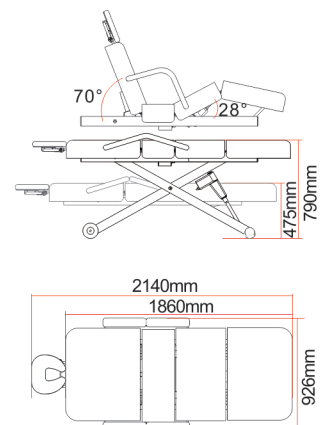
Net weight	60kg/133lb
Gross weight	75kg/166lb
Max weight supported	200kg/440lb
Package size	1920*830*500(mm)≈0.82m <sup>3</sup>



code:2274



code:2274A



code:2274B