

M EMPRESS XO



M EMPRESS XO



The Empress XO pedicure spa chair transforms every client visit into a haven of comfort and tranquility. Designed with precision and packed with premium features, this stunning chair brings a perfect blend of luxury and functionality, making it an ideal choice for high-end day spas and resorts.

EMPERESS



EMPRESS XO



PREMIUM POLYURETHANE LEATHER



BUILT-IN REMOTE



ADJUSTABLE FOOTREST, MULTIFUNCTION SHOWERHEAD (White Footrest Cushion Color Available)

Every touch, a step towards
pure relaxation

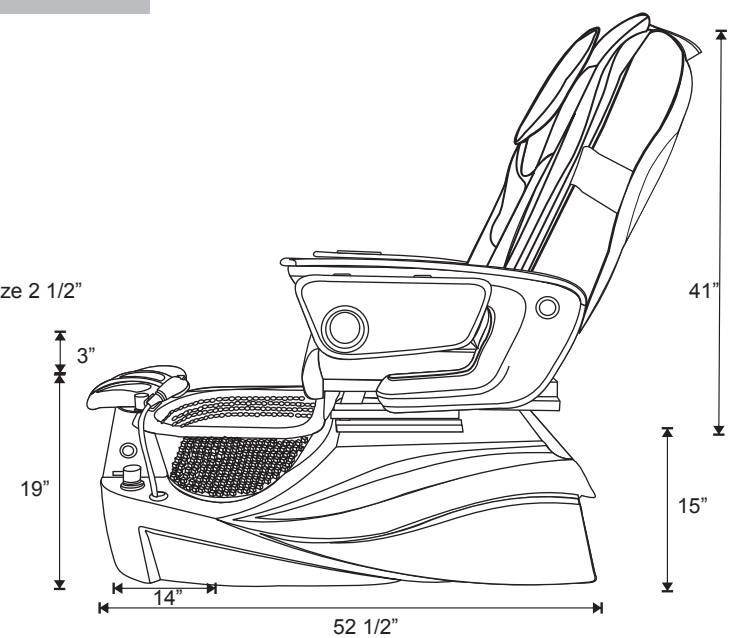
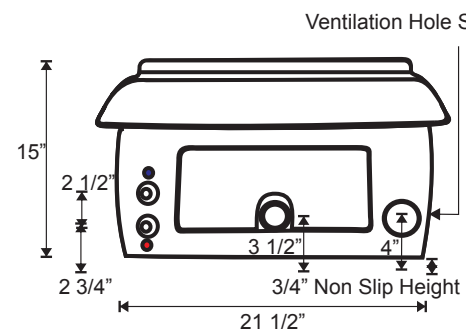
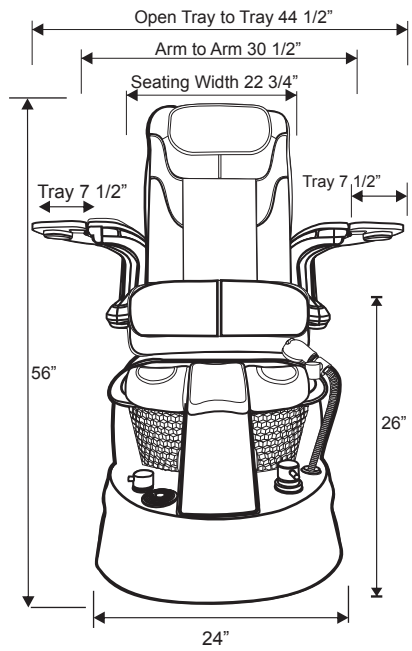


Specification



LISTED E242637

EMPRESS XO



Dimension & Weight (Shipping)	Pedicure Spa & Massage Chair Technician Stool	37"W x 66"L x 40"H 20"W x 21"L x 8.5"H	261 Lbs 19 Lbs
Capacity of Tub		4.5 U.S Gallon	
Switch		On/Off Air Activate Switch	
Power Source	Dedicated 15Amp Wall Outlet Required Pipeless Whirlpool Motor Massage System	120Vac, 60Hz. 120VAC, 60Hz. 120VAC, 60Hz.	
	Discharge Pump (Optional)	120Vac, 60Hz.	
Plumbing	Hot Water Cold Water Drain	0.5" inch (Fitting Provided) 0.5" Inch (Fitting Provided) 1.5" PVC Outlet (See Plumbing Instruction)	
Warranty	Parts Pedicure Spa	2 Years (See detail in Warranty)	

Colors

CHAIR UPHOLSTERY



MOCHA



BLACK



WHITE



CHOCOLATE



GRAY

BASE & BOWL



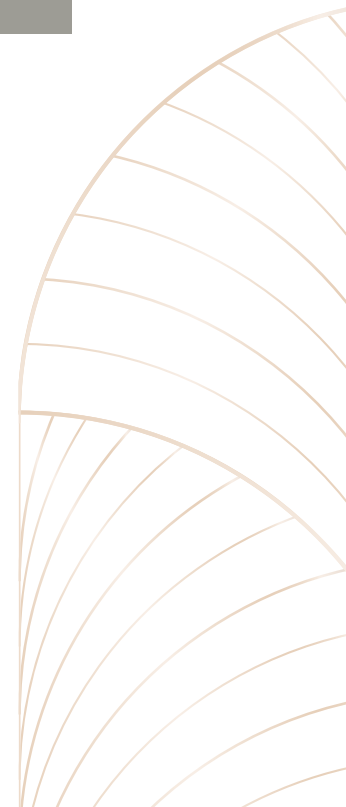
WHITE BASE/CRYSTAL BOWL



BONE BASE/GOLD BOWL



SILVER BASE/SILVER BOWL



Stools & Chairs

Check the QR Codes for details about the Stools & Chairs



CAPPUCCINO

MONACO CUSTOMER CHAIR

- OVERALL DIMENSION: 29" X 16" X 25"
- WEIGHT: 43 LBS
- SHIPPING DIMENSIONS
 - 23" X 20" X 14" SHIPPING
 - WEIGHT: 22LBS



GRAY BLACK MOCHA CHOCOLATE



GRAY

EURO STOOL TECHNICIAN CHAIR

- OVERALL DIMENSION: 19"W X 23"D
- WEIGHT: 17 LBS
- HEIGHT ADJUSTMENT:
 - LOW PISTON (PEDICURE): 13" TO 16"
 - MEDIUM PISTON (MANICURE): 16" TO 19.5"
- SHIPPING DIMENSIONS: 23" X 19" X 15"
- SHIPPING WEIGHT 1 IN 1 BOX: 19 LBS
- SHIPPING WEIGHT 2 IN 1 BOX: 36 LBS



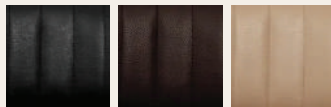
TAUPE RED ORANGE RED BLACK
MOCHA CHOCOLATE CAPPUCCINO WHITE



BURGUNDY

M STOOL TECHNICIAN STOOL

- OVERALL DIMENSION: 19"W X 23"D
- WEIGHT: 18 LBS
- HEIGHT ADJUSTMENT:
 - LOW PISTON (PEDICURE): 13" TO 16"
 - MEDIUM PISTON (MANICURE): 16" TO 19.5"
- SHIPPING DIMENSIONS 1 IN 1 BOX:
 - 23" X 20" X 14" SHIPPING - WEIGHT: 22 LBS
- SHIPPING DIMENSIONS 2 IN 1 BOX:
 - 23" X 20" X 17" SHIPPING - WEIGHT: 39 LBS



BLACK CHOCOLATE TAUPE



TAUPE

COOKIE STOOL TECHNICIAN STOOL

- OVERALL DIMENSION: 17 1/2"W X 18"D
- WEIGHT: 20 LBS
- HEIGHT ADJUSTMENT:
 - LOW PISTON (PEDICURE): 13" TO 16"
 - MEDIUM PISTON (MANICURE): 16" TO 19.5"
- SHIPPING DIMENSIONS: 23" X 21" X 20"
- SHIPPING WEIGHT 1 IN 1 BOX: 20 LBS
- SHIPPING WEIGHT 2 IN 1 BOX: 35 LBS



MOCHA CHOCOLATE CAPPUCCINO BLACK

Please visit our website for prices at www.jausanic.com

Furniture & Appliances

SINGLE NAIL TABLE

DIMENSIONS: 40"W X 30 1/2"H X 16"L



COLORS: White Granite Top & Dark Brown Wood White Wood

NAIL DRYER TABLE

DIMENSIONS: 55 1/2"W X 36 1/2"H X 16 1/8"L



COLORS: White Granite Top & Dark Brown Wood White Wood

TROLLEY

DIMENSIONS: 20"W X 16"D X 42.5"H



Walnut Wood

White Wood

PEDI CART

DIMENSIONS: 14 1/4"W X 17"H X 14 1/4"L



Dark Brown Wood

White Wood

RECEPTION

DIMENSIONS: 52 3/4"W X 44 1/4"H X 18 1/2"L



COLORS: White Granite Top & Dark Brown Wood White Wood

DOUBLE NAIL TABLE

DIMENSIONS: 71"W X 30 1/2"H X 16"L



COLORS: White Granite Top & Dark Brown Wood White Wood

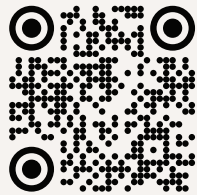
HOT TOWEL WARMER

L : 16.5"W X 16"D X 17.5"H
M : 18"W X 11.5"D X 14.5"H
S : 14"W X 11"D X 10"H



Optional Ventilation

Optional Ventilation is available for both single & double tables. Consult with your local and state board regulations for compatibility.



www.jausainc.com

J&A USA, Inc., founded in 1996 in the state of New York, is committed to the design and manufacture of quality pedicure spas. J&A USA, Inc. believes the specifications in this booklet to be correct at the time of publication. Specifications, standard equipment, options and colors are subject to change without notice. Please consult your dealer for advice concerning current availability of standard and optional equipment. J&A USA Inc. requires that installations of new pedicure spas be performed with the assistance of a licensed plumber and licensed electrician. Installation must comply with all state and local building codes.

Pedicure spas cannot operate efficiently or safely unless provided with adequate electrical power, adequate water pressure, proper water temperature, and required drainage.

Warranty coverage includes repairs and adjustments needed to correct any defects in materials or workmanship, or any part supplied by J&A USA Inc. from the date of purchase. Massage/Vibration pedicure chairs are covered under warranty for 24 months, excluding noise, vibration, cosmetic conditions, and other deterioration caused by normal use. Fiberglass pedicure tubs are covered under warranty for 24 months, excluding damage resulting from striking or leaping onto the base, damage due to direct sunlight or exposure to light bulbs, or normal wear to metallic plated hardware, stickers, and paint. Pedicure glass bowls are covered under warranty for 24 months, excluding damage from impact upon striking or leaping onto the bowl, or surface degradation caused by contaminants in water, such as calcium and mineral deposits.

This warranty covers repairs and adjustments needed to correct defects in materials or workmanship of any part supplied by J&A USA Inc., except in the case of fire, accident, or theft. Damage from misuse, such as striking or leaping onto the unit, damage from improper repairs, alterations, tampering, or failure to perform proper maintenance will not be covered. If J&A USA Inc. receives notice of defective products during the applicable warranty period, J&A USA Inc. shall either repair or replace the defective parts at J&A USA Inc. discretion. The replacement product may either be new or be the equivalent in performance to new. J&A USA Inc. will provide free shipping for replacement parts to any qualifying address in the contiguous U.S. Products are manufactured by J&A USA, Inc., 335 Crooked Hill Rd., Brentwood, NY 11717.



www.buyritebeauty.com

1-800-477-6655