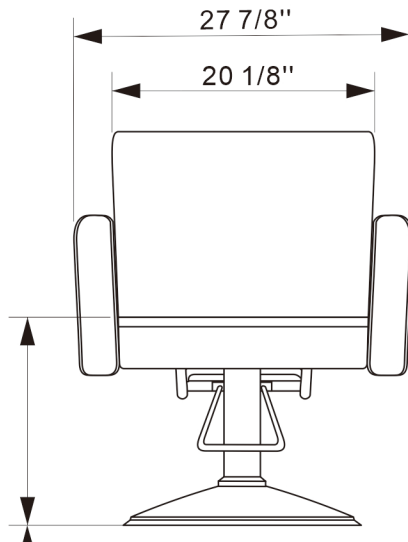
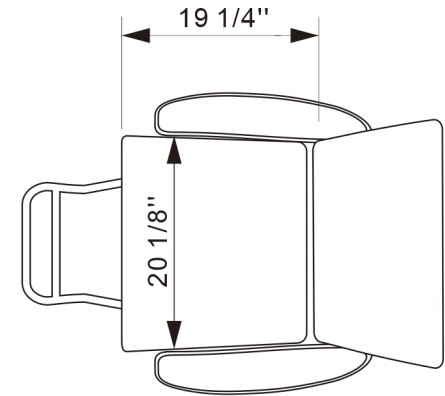


EST.1936  
**Buy-Rite**  
SALON & SPA  
EQUIPMENT

1-800-477-6655  
buyritebeauty.com

**CAMMELO STYLING CHAIR**  
**NIN-6610**

All Measurements in Inches +/- 1/4"



Travel Range: 21 1/4" - 27 3/4" (Floor to top of seat cushion on standard base)

