



AMATI BI-LEVEL STYLING STATION

SKU:937-48

The Amti Bi-Level Styling Vanity is an eye-catching way to enhance your salon or spa. The bi-level look features a beautiful high-style mirror on steel legs.

TECHNICAL INFORMATION

- Measures: 30"W x 15"D x 24"H x 42"H
- 48" wide
- Amati Steel Legs
- 3 Drawers
- Fully-Equipped tool panel w/ power strip
- Storage cabinet w/ shelf
- Amati mirror assembly w/ 30" x 48" mirror
- Also includes Amati-Steel Mirror Assembly as pictured.

SHIPPING INFORMATION

Item generally ships via Freight(Truck) service

- Weight: 310 lbs
- Dimensions: 1 skid 1 carton

WARRANTY

3 Years:

- Ball-Bearing Drawer Slides
- Cabinet hinges

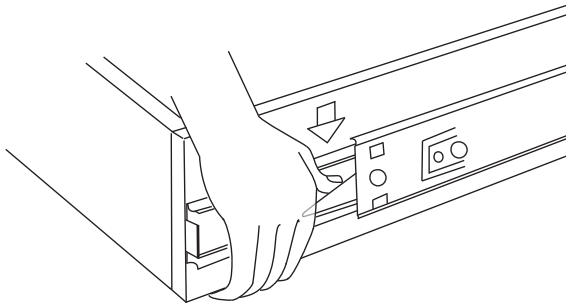
1 Year:

- All remaining components, unless noted otherwise, are guaranteed for a period of one year from the date of purchase.



To assemble the Amati station follow this procedure.

- 1) Place the cabinet assembly as desired against a framed wall. Use the provided 3" wood screws to secure the cabinet to the wall behind. You may conceal the screw heads by placing them behind the drawers. Use the illustrated procedure for removing and reinstalling the drawers.
- 4) Assemble the mirror frame by passing the supplied screws into the pre-drilled/tapped holes in the metal. You may wish to cut the side pieces of the mirror frame down to accommodate your ceiling type.
- 5) Place the mirror frame on top of the lower base and against the wall. The recommended spacing is 3" from the side of the metal to the side of the tall base cabinet. Use the supplied wood screws to attach the mirror frame panel to the wall.
- 6) With the cabinets and mirror frame installed, locate the supplied mirror clips and attach to pre drilled holes in the mirror frame. Install mirror by first seating into the bottom clips then lifting the upper clips to seat the top of the mirror.

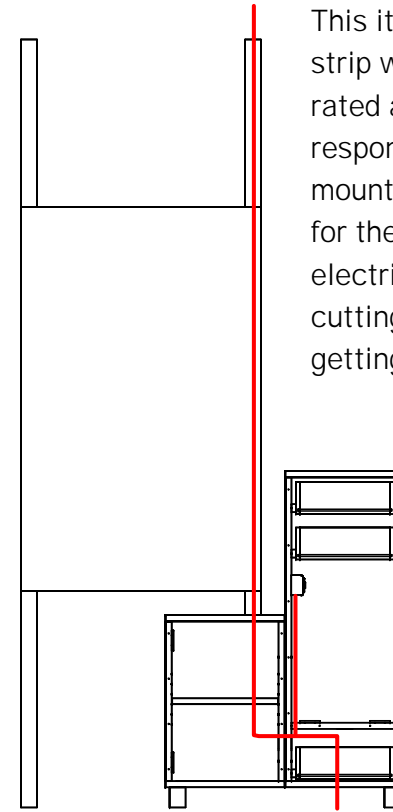
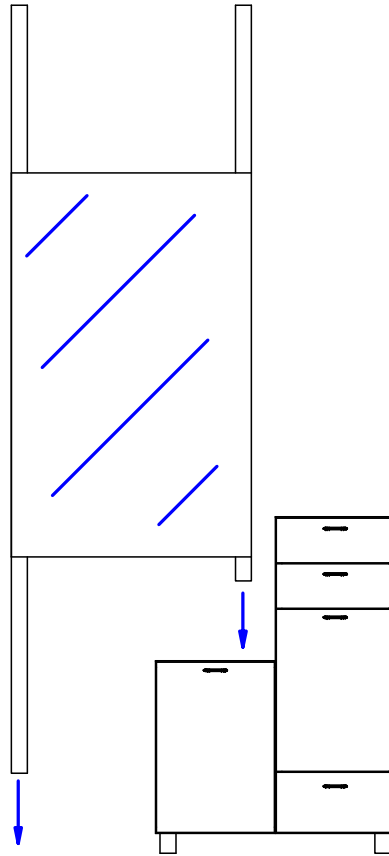


To Remove Drawer

Pull the drawer fully open so levers are visible.
Push "down" on the right lever (shown), and "up" on the left lever.
Holding levers in place, pull drawer toward you.

To Reinsert Drawer

Bring ball retainer fully forward and carefully reinsert drawer member slide into the cabinet member slide, guiding the drawer member raceway between the ball bearings.
Completely close drawer.
Open and close drawer to ensure the slide is fully engaged into the ball bearing track.



This item includes a six outlet power strip with a 4' cord. The outlet strip is rated at 15 amps. The electrician is responsible for providing and mounting an outlet inside the cabinet for the power strip to plug into. The electrician is also responsible for cutting an appropriate entry point for getting power into the cabinet.

All electrical work is to be performed by a licensed electrical contractor and to be performed in accordance with all applicable national, state, and local codes.

Wire Path

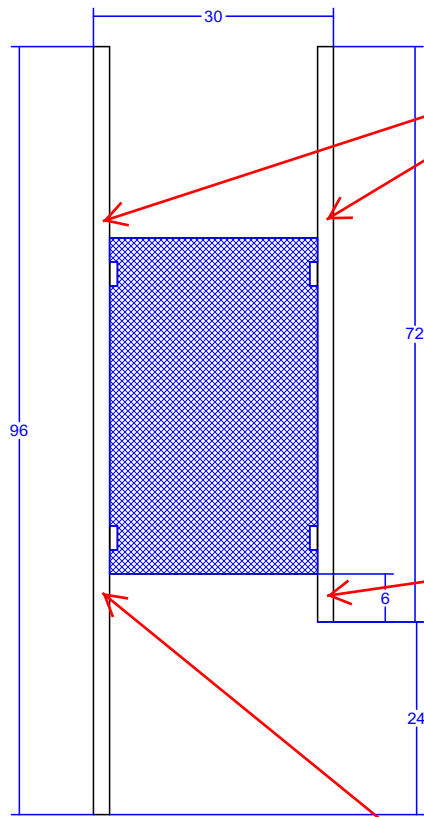
Quantity -

Finish Schedule - 940-48-1

- Face Color -
- Top Color -
- Toe Color - Sliver Legs
- Reveal / Accent Color -
- Hardware - Amati Pulls
- Interior - Black Melamine
- Other (Specify) -

General Notes:

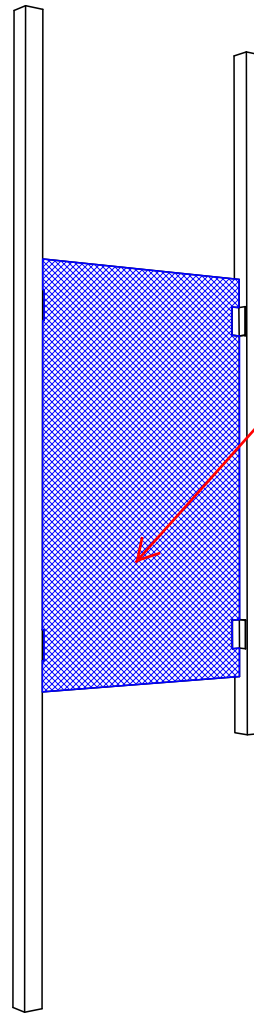
1. All counter tops are to be made removable wherever possible.
2. Items must be broken into manageable sections For Shipping. Mark For Ease Of Reassembly.
3. Install Shipping Cleats Wherever Possible To Prevent Shipping Damage.
4. Purchased items Must Be Trial Fit Before Shipping.



The "top of mirror" clips are 21" from the top

This "bottom of mirror" clip is 3" from end of post.

This "bottom of mirror" clip is 27" from end of post.



Match panel "A" with steel posts also marked with an "A" -- B to B, etc

The Amati Mirror Assembly is assembled at the factory and then disassembled for safe shipment to the salon.

To reassemble the Amati Mirror Assembly, join the 26" wide x 42" high wooden panel to the right & left steel posts with fasteners provided. Note the panel labels and the corresponding labels on the steel posts.

1" x 1" x 3" L-brackets are used to attach the 42"X26" filler panel to metal. Two 3/4" #12 machine screws are supplied per bracket -- more are not needed.

Position the mirror frame on the cabinet as pictured. Join frame assy to the wall by screwing thru the wood panel into studs.

Then attach mirror to steel frame using the pre-installed mirror clips.

Finish Schedule – 937-48-1

Face Color -
 Top Color -
 Toe Color - Sliver Legs
 Reveal / Accent Color -
 Hardware - Amati Pulls
 Interior - Black Melamine
 Other (Specify) -

General Notes:

1. All counter tops are to be made removable wherever possible.
2. Items must be broken into manageable sections For Shipping. Mark For Ease Of Reassembly.
3. Install Shipping Cleats Wherever Possible To Prevent Shipping Damage.
4. Purchased items Must Be Trial Fit Before Shipping.