



AMATI 57 NAIL TABLE

SKU:948-57

This Amati 57 Nail Table is designed for a comfortable height and good ergonomic posture. With two storage cabinets, slightly taller than the work area, you have plenty of room to keep your nail products organized.



TECHNICAL INFORMATION

- Measures: 57"W x 20"D x 30"H x 32"H
- 2 Full extension drawers
- 2 Storage cabinets
- Lamp
- Padded rest
- Can be ordered with locking twin-wheel casters at no extra charge
- Can also be ordered with optional #10633 Vent

SHIPPING INFORMATION

Item generally ships via Freight(Truck) service

- Weight: 209 lbs
- Dimensions: 66"L x 32"W x 42"H

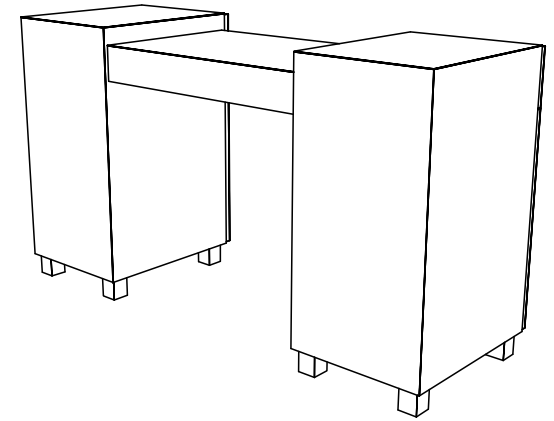
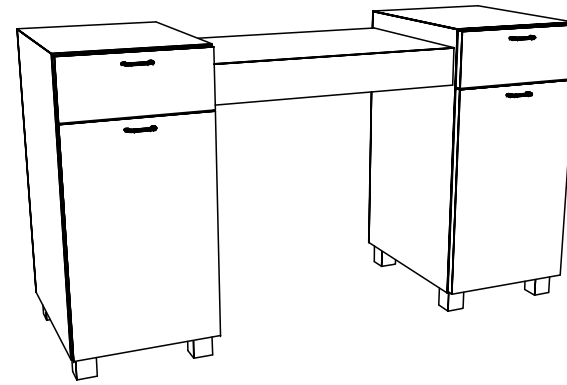
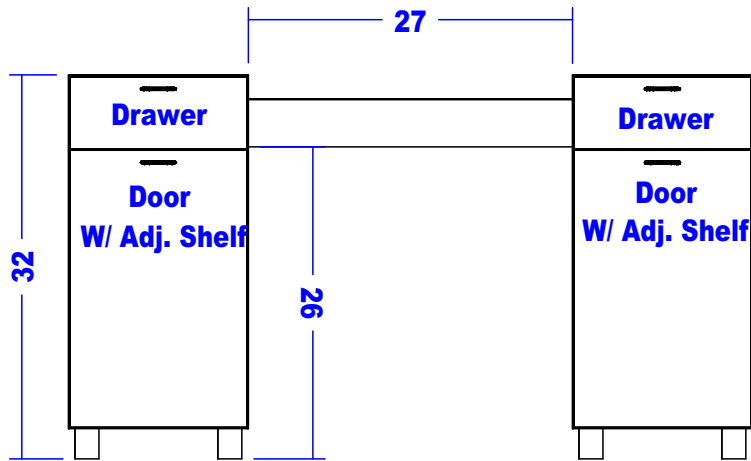
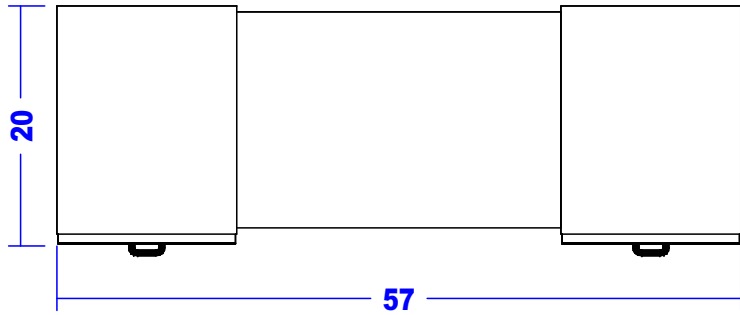
WARRANTY

3 Years:

- Ball-Bearing Drawer Slides
- Cabinet hinges

1 Year:

- All remaining components, unless noted otherwise, are guaranteed for a period of one year from the date of purchase.



Finish Schedule - 948-57-1

Face Color -
 Top Color -
 Toe Color -
 Reveal / Accent Color - Silver Steel Legs
 Hardware - Amati Pulls
 Interior - Black Melamine
 Other (Specify) -

Included Lamp and Nail Pad Not Pictured

Preliminary
 Not For Construction

This drawing is the property of Collins Manufacturing Company and is protected under copyright law.

Title: 948-57 Amati Nail Table		
Size: NTS	Drawing Number: Job	Drawn By: Eng
Date:	Sheet	