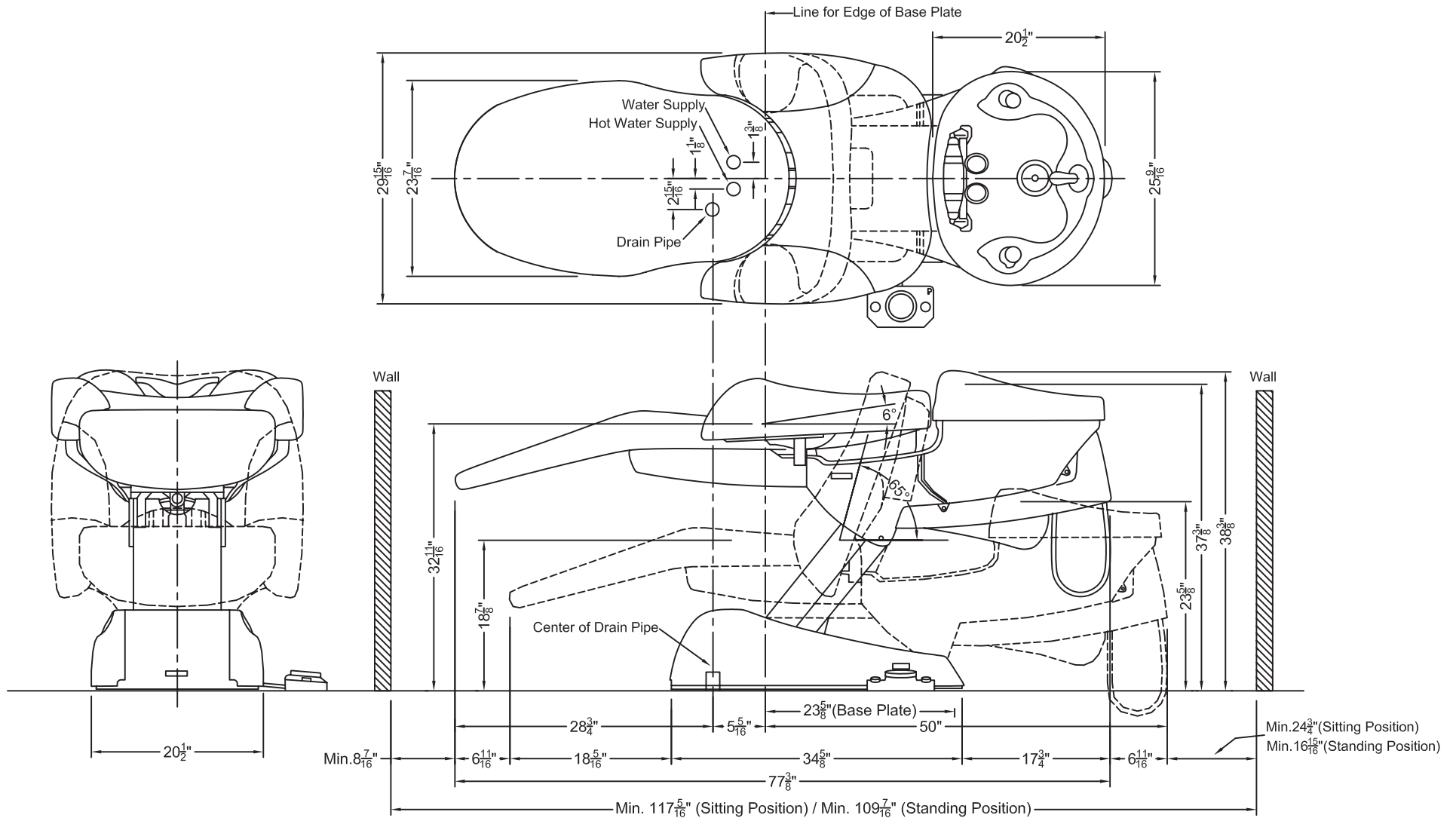


Model: SH-YML

Name: YUME SHAMPOO UNIT

DWG #: SH-YML.02A

Date: 10-17-07



SPECIFICATIONS

Measurement ————— 29 $\frac{5}{16}$ " x 77 $\frac{3}{8}$ " x 38 $\frac{3}{8}$ " (W x L x H)  
 Angle of Bracket ————— 59° (6° - 65°)  
 Electrical Requirements ——— AC120V 50/60Hz 5.8/4.4A

Usage Environment ————— Operational Temperature (50°F - 104°F)  
 Water and Hot Water ————— 0.08 - 0.6Mpa (0.8 - 6kgf/cm<sup>2</sup>)  
 Supply Pressure ————— Water Supply Pressure ≥ Hot Water Supply Pressure  
 Pressure difference between water supply & hot water supply within 0.2Mpa (2kgf/cm<sup>2</sup>)  
 Weight ————— 344 lbs.