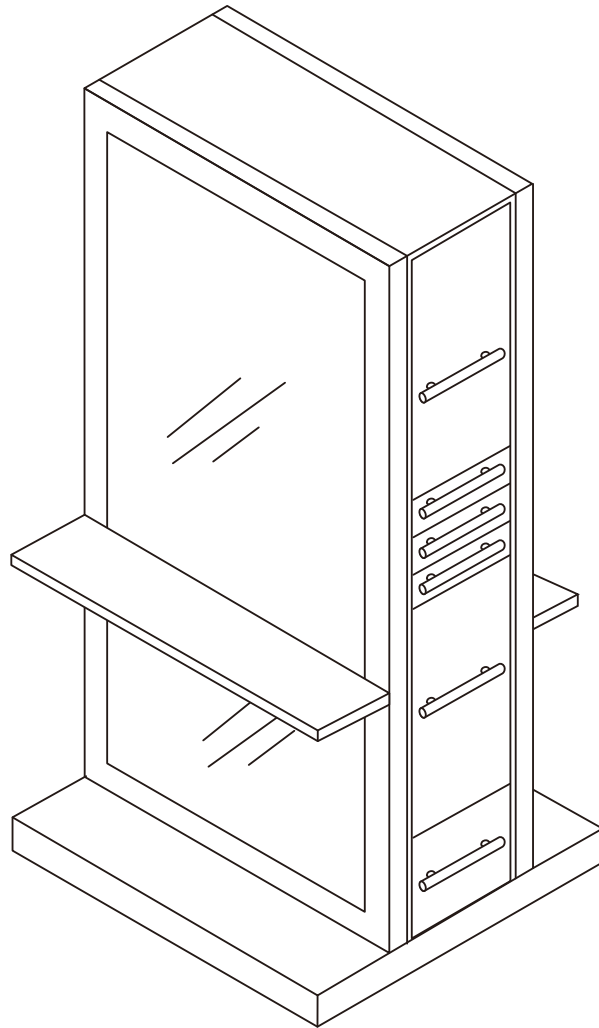




## Assembly Instructions



**Milan Double Sided Styling Station  
Model # NIN-MDN-01**

## Important Safety Instructions

---

- Please read all instructions carefully before assembling this styling station.
- For your safety, assembly by two or more adults is strongly recommended.
- Keep these instructions for future use.
- Use only vendor supplied hardware to assemble this product. Using unauthorized hardware could jeopardize the structural integrity of the item and void the warranty.

## Pre-Assembly



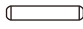





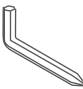
---

- Remove all parts and hardware from the box. Place them on a scratch-free work surface, as this will avoid damaging parts during assembly.
- To avoid accidentally discarding small parts or hardware, do not dispose of any packaging or contents of the shipping carton until assembly is complete.
- Use the parts and hardware list on page 2 to identify and separate all the pieces included.
- The illustrations provided allow for easier assembly when used in conjunction with the assembly instructions.
- The use of power tools to aid in assembly is not recommended. Power tools can damage hardware and split wood.

# Care Instructions

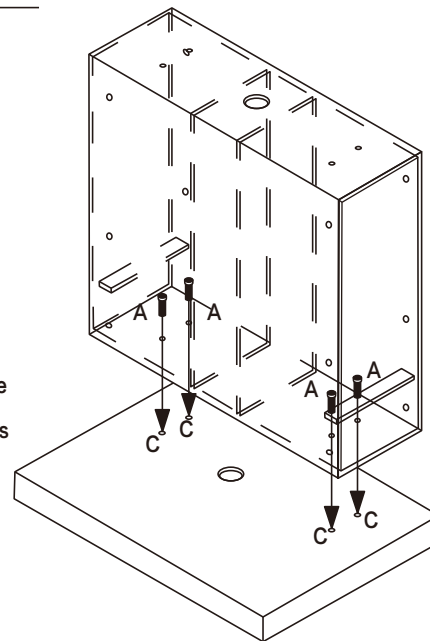
- Often dust the styling station parts using a clean, soft, dry and lint free cloth.
- Blot spills immediately and wipe with a clean, damp cloth.
- We do not recommend the use of chemical cleansers, abrasives, or furniture polish on our lacquered finish.
- Hardware may loosen overtime. Periodically check to make sure all connections are tight. Re-tighten if necessary.

## PARTS LIST\*\*

Part	Qty	Description	Sketch
A	32	Long Phillips Head Bolt	
B	32	Short Phillips Head Bolt (Only for Wheels)	
C	4	Wood Dowel	
D	4	Wheel with brake	
E	4	Wheel without brake	
F	10	Appliance Grommets	
G	12	Handles	
H	8	Long Phillips Head Bolt(only for metal shelf)	
Tools required:Phillips Head Wrench (included)			

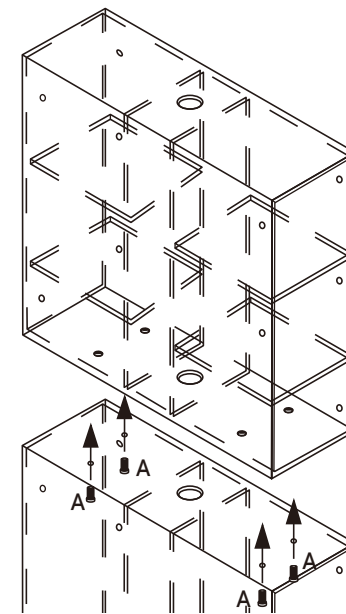
### 1 – Mounting bottom cabinet section

- 1) Remove all the drawers from the bottom cabinet section by pressing the black release tabs in the glides (one up, one down) and pulling. Remove the drawers slowly and carefully so as not to damage the glides.
- 2) Set the bottom cabinet section on top of the base, aligning the 4 holes in each.
- 3) Secure the bottom cabinet section to the base using 4 Phillips head bolts (Part A – Bolt) and 4 Wood Dowels (Part C).
- 4) Set the station on its side and attach the 8 wheels using the short Phillips head bolts (Part B). Please note that you will want to put the 4 wheels with brakes on the corners of the base and the 4 wheels without breaks in the middle of the base.
- 5) To provide electrical power from the floor, while the station is on its side, run the electrical cord through the bottom hole and up through the wire chase before installing the upper cabinet.



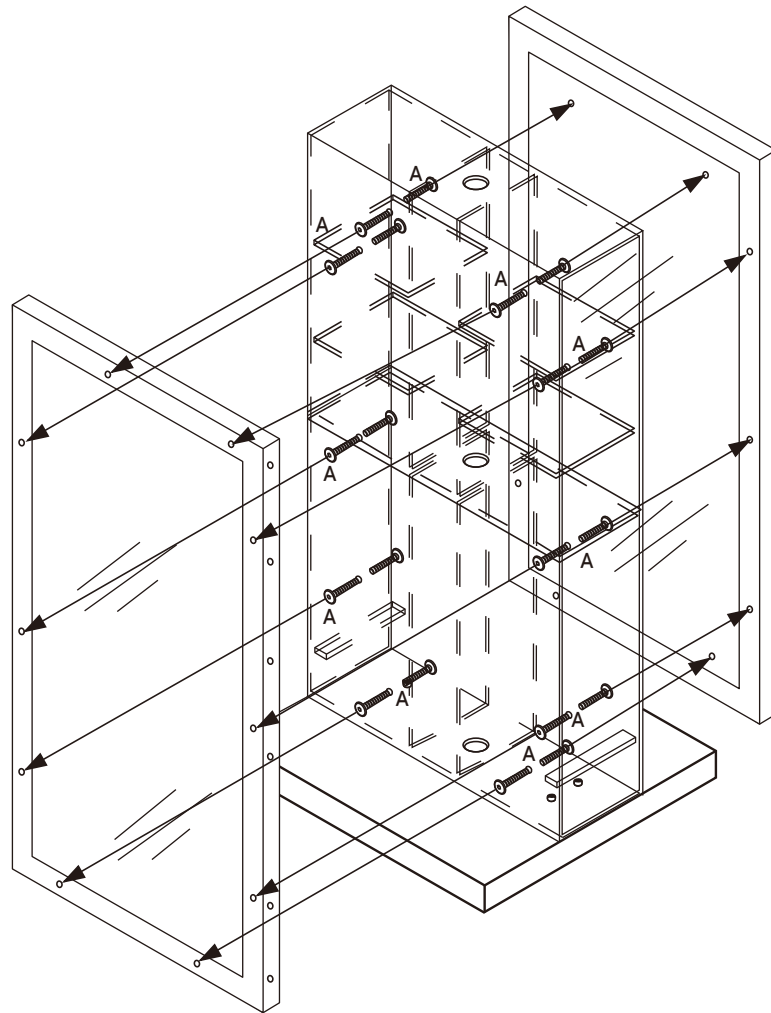
### 2 – Mounting the top cabinet section

- 1) Remove all the drawers from the top cabinet section by pressing the black release tabs in the glides (one up, one down) and pulling. Remove the drawers slowly and carefully so as not to damage the glides.
- 2) Set the top cabinet section on top of the bottom cabinet section, aligning the 4 holes in each cabinet.
- 3) Secure the top section to the bottom section by screwing 4 Phillips head bolts (Part A – Bolt) upward through both cabinet sections and into the anchors in the top cabinet section.



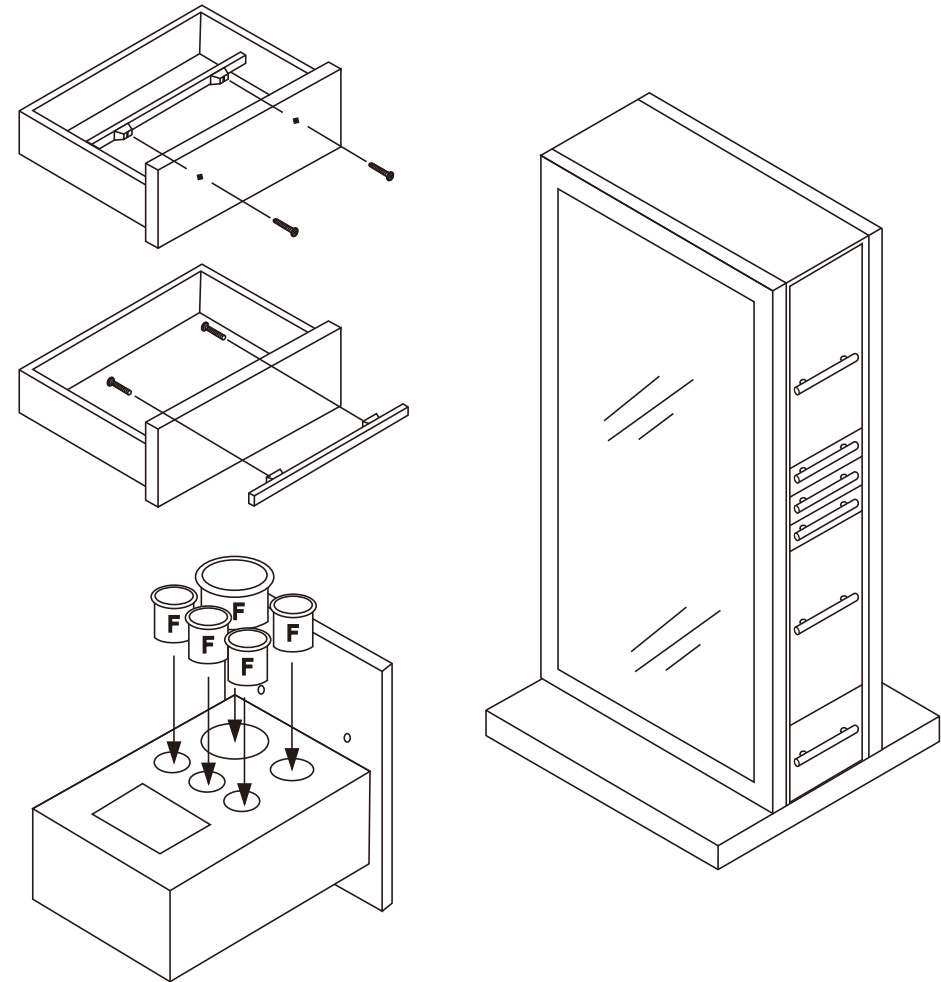
### 3-Mounting the Mirror panels

- 1) Rotate the mirror panel such that the holes in the back of the panel are aligned with the holes in the front faces of the bottom and top cabinet sections.
- 2) Anchor the mirror panel to the cabinets using 10 Phillips head wood screws by screwing from the inside of the cabinet into the back of the mirror panel. (Part A - Screw).
- 3) Repeat steps 1 and 2 for the back mirror panel, using the same configuration of bolts as in step 2 above.



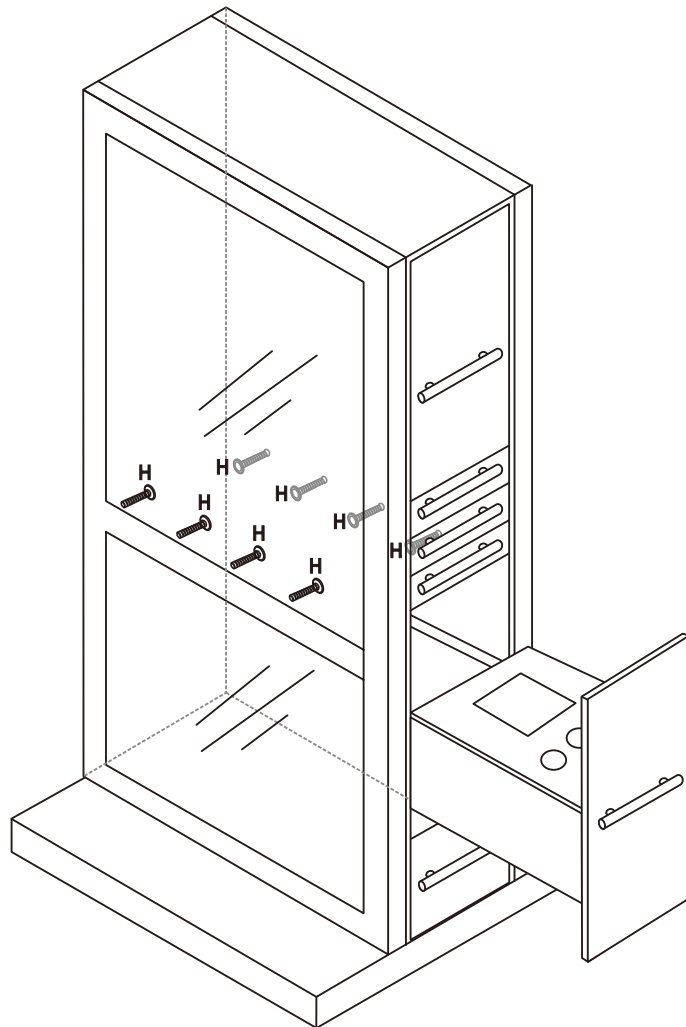
### 4-Handle Attachment

- 1) For shipping, the drawer handles are attached to the insides of the drawer faces. Using a Phillips head wrench, remove the 2 screws in each and reattach the handles on the front of the drawers.
- 2) Insert the metal appliance grommets (Part F) into the center appliance drawer.
- 3) Slide the drawers back into their respective glides.



## 5-Mounting Front Shelf and Back Shelf

- 1) Remove the 4 Phillips head bolts (Part H) from the back of the metal shelf.
- 2) Align the shelf with the holes in the front of the station and attach the screws from behind the mirror panel on the inside of the station.



## 6-Finished Station with Mounted Shelves

