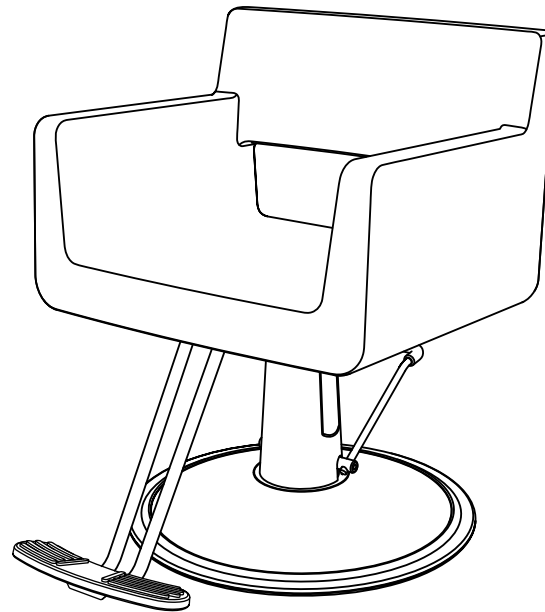


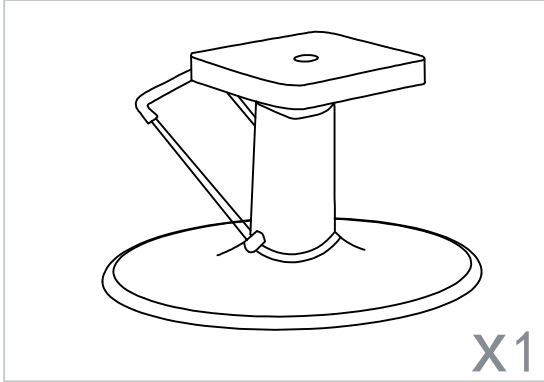
EST.1936
Buy-Rite
SALON & SPA
EQUIPMENT

1-800-477-6655
buyritebeauty.com

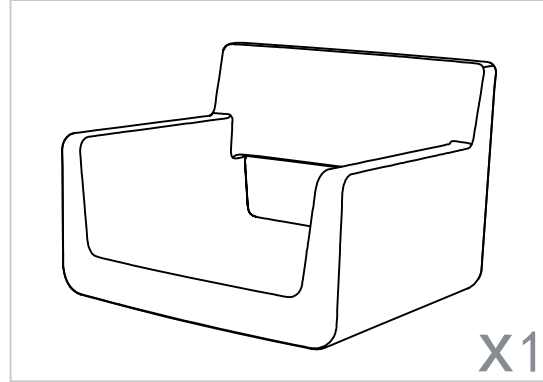
ROSA STYLING CHAIR
YLG-308
INSTRUCTION MANUAL



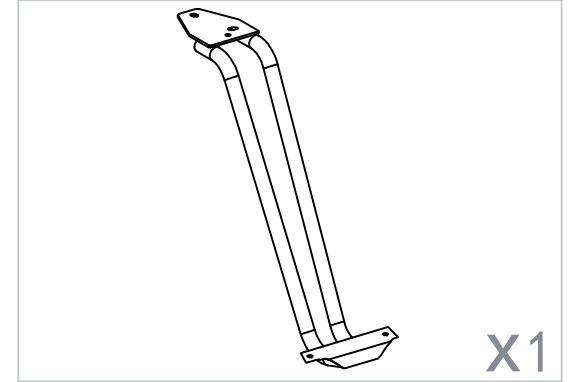
List of Parts & Tools



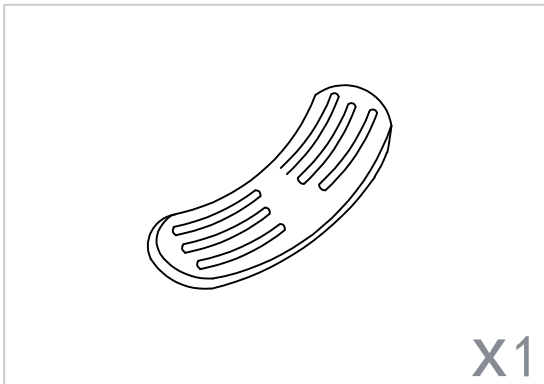
Hydraulic Base and
Pump Cushion



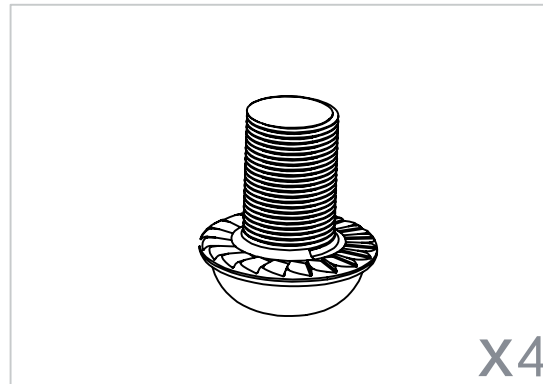
Chair Top



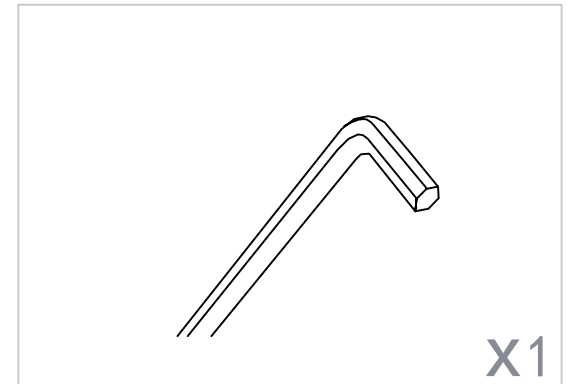
Footrest



Foot Pad

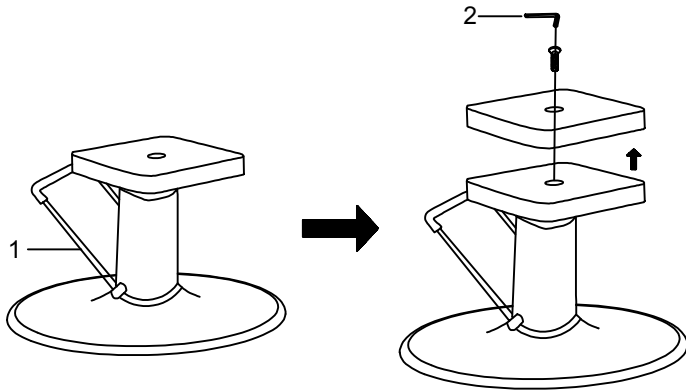
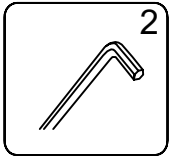
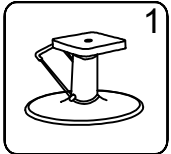


M8 x 20mm



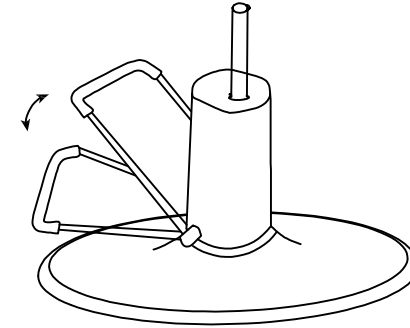
6mm

Step 1



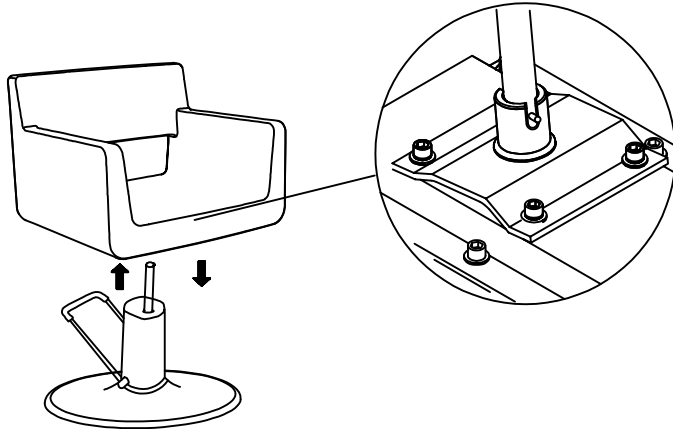
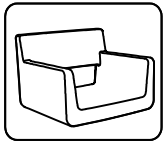
1. Remove the pump cushion from the hydraulic base using the 6mm wrench.
2. Discard the pump cushion after removal.

Step 2



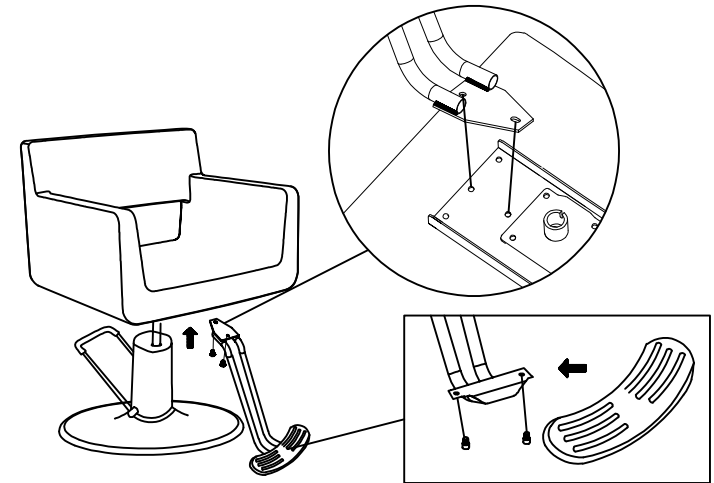
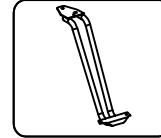
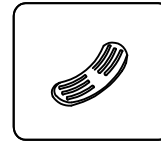
1. Pump the hydraulic to raise the shaft to the highest position, preparing to install the chair top on the hydraulic base.

Step 3



1. To securely attach the chair top to the hydraulic base, align the notch in the seat bracket that is located on the bottom of the chair with the pin on the metal shaft of the hydraulic and place the chair top on the base. Ensure the pin on the metal shaft and the notch in the seat bracket align for proper installation.
2. Carefully sit in the chair to ensure the metal shaft is fully secured into the seat bracket. Note the pin will not slide fully into the top of the seat bracket.
3. If the chair top is not stable, repeat steps 1 and 2 above. Additionally, check the screws on the bottom of the hydraulic base that secure the pump to the base plate to confirm they are securely tightened.

Step 4



1. Remove the two screws attached to the bottom of the black foot pad with the 6mm wrench provided. Once removed, attach the black foot pad to the metal footrest using these same screws.
2. Using the 6mm wrench provided, remove the two screws attached to the bottom of the chair top located in the front position where the footrest will connect. Once removed, attach the metal footrest to the chair top using these same screws.
3. Ensure all screws are tight and secured prior to use but be careful not to overtighten.

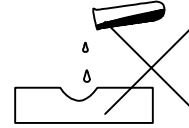
Product care



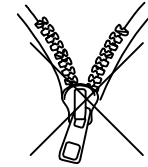
Brush away excess hair



Clean surface with damp cloth or use simple soap & water solution.



Avoid using corrosive cleaning agents such as bleaches.



Do not remove upholstery for cleaning

Product Information

1. Enjoy your new chair!
2. Remember to always keep the hydraulic base in the upright position and never stand solely on the footrest as it will tip.
3. After assembly and before use, we suggest pumping the hydraulic to full height and back down several times to prime the hydraulic fluid. This will keep the pump smooth and responsive.
4. Note that short quick pumping is more effective for adjustments than pressing the lever all the way down each time.
5. If you have any questions or concerns, please contact our customer experience team at 912-335-4445.